



Model Number:

DC14-90-63-NV

MFG PN:

379

List Price:

All data shown at HIGH voltage setting

Format:STD 1 Phase

Electrical Data				General Data			
Rated Motor Output Power	0.25	HP		Frame Size	63B14		
Rated Motor Speed	1750	r/min 60Hz		Enclosure	TENV		
Rated Motor Voltage (1 Phase)	90	V/60Hz		Mounting	None		
Rated Motor Current	2.84	A (In) @ 60Hz		NEMA Design	None		
FL Current @ 208V	None	A (In) @ 60Hz		IP Rating	55		
Service Factor	1.0	@ 60Hz		Insulation Class	F		
KVA Code	None	60Hz		Tropicalization	True		
Nominal Efficiency	None	% @ 60Hz		Duty	Cont.		
Nominal Power Factor	None	cosθ @ 60Hz		Cable Entry	None		
Brake Torque (N-M)	100.0			Feet Removable	0		
Brake Coil Voltage	None			Double Drilled	0		
Capacitors	mF	Voltage	QTY	Frame Material	Rolled		
Start	None	None	DB	Shaft Material	None		
Run	None	None	DF	Coating	RAL	7024	
Centrifugal Switch Type:							
Full Load Torque Ft-Lb	2.97			Mechanical Data			
Load Data	Trq Ft-Lb	Trq %FL	Current Amps	Bearing DE Side	None		
Locked Rotor				Bearing NDE Side	None		
Breakdown	11.8503	399.0	-	Comp Ring (wavey washer)	None		
Pull Up	7.9299	267.0	-	Weight	8.0	Lbs	
Load Data	RPM	Eff %	Current Amps	Moment of Inertia	None	kg.m3	
125% of FL	1749.7	85.789	1.7725	Site Conditions			
75% of FL	1771.4	84.575	1.3287	Temp Rise @ Full Load °C	AM	@ 60Hz	
50% of FL	1781.1	81.034	1.1726	Ambient Temperature °C	40		
No Load	1199.0	0	1.03	Altitude Above Sea Level (M)	1000		
Options				Loaded Torque Curves	None		
UL File Number				<b>P1 = Output Power (KW), S = Slip (% of Sync RPM), η = Efficiency (%), cosφ = Power Factor</b>			
CSA File Number							
DOE File Number							
CE APPROVAL							
Wiring Diagram	None						

Techtop Industries -2815 Colonnades Court - Peachtree Corners, GA 30071 - Phone: (678) 436-5540



**Model Number:** DC14-90-63-NV

**MFG PN:**

**List Price:** 379

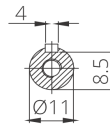
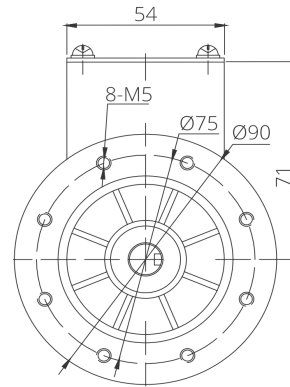
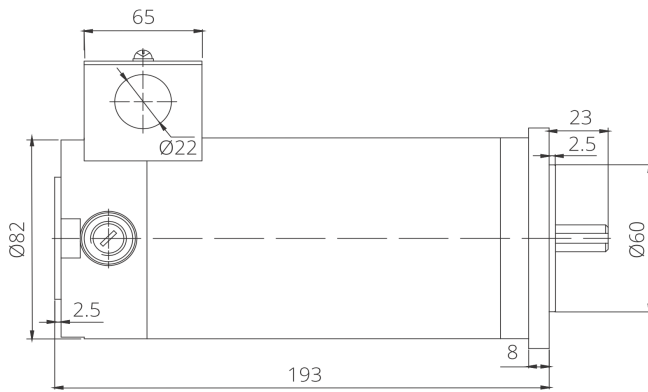
Configuration Schematic:

F1 TEFC

Dimensional Drawing (For Reference Only)

DC14-90-63-NV\_2018

FRAME: 63 | HP: 1/4 | RPM: 1800 | VOLTAGE TYPE: DC | DC VOLTAGE: 90V | ENCLOSURE: TENV | FLA: 2.8 | WEIGHT: 8 lbs.



MODEL NUMBER:

DC14-90-63-NV

MFG PN:

REV | BY | DATE

1 | | |

2 | | |

3 | | |

4 | | |

5 | | |

6 | | |

7 | | |

CHANGES

MATERIAL: ROLLED STEEL

UNITS: MM | BY: ARE

DATE: 4/12/2018

WWW.TECHTOP.COM

Components

Item	Model	Description	List Price
C-Face Kit			{data.c_kit_price}}
DE Endplate Kit			
NDE Endplate Kit			
Junction Box			
Cooling Fan Cover			
Cooling Fan			
Centrifugal Switch Fixed			
Centrifugal Switch Rotating			
Start Capacitor			
Run Capacitor			

